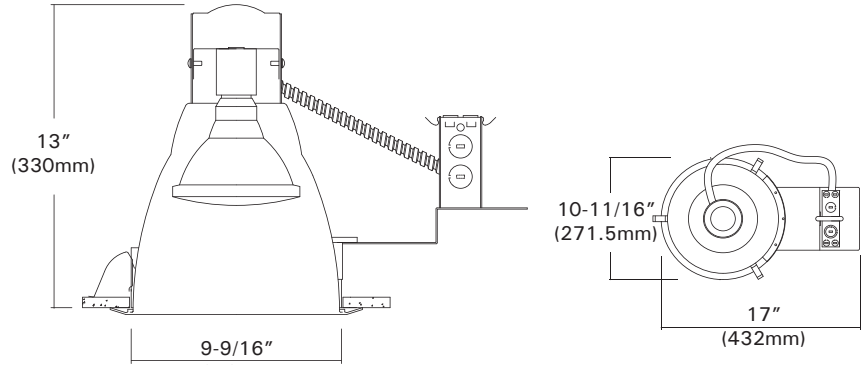


# DL-1920RA

## 9" Vertical Remodel Frame-in-kit For Incandescent Lamps

Catalog #		Type
Project		Date
Prepared by		

### INCANDESCENT



**Ceiling Cut-out :** 9-3/4"

**Lamp, Max, Watt. :** 300W / R40, PS25 (Med, Mog) or  
250W / PAR38 (Med) or  
150W / A19 (Med)

### DESCRIPTION

10" aperture remodel frame-in kits R, PS, PAR, A Type incandescent lamps. These are designed for use in non-insulated ceiling or for general lights on floor and task lighting with deep concealed lamp.

### APPLICATION

The 10" is designed for use in non-insulated existing ceiling or for existing insulated ceilings where insulation can be kept 3" away from all sides of the housing. It can be installed from below the ceiling.

### DESIGN FEATURES

#### ◦ Housing Kit

- UL, c-UL listed, NON-IC, thermally protected housing for vertical R, PS, PAR, A type incandescent lamps.
- 20-gauge CRS mounting ring, black-painted. Housing adjusts for ceilings up to 1/2" thick.

#### ◦ Junction Box

- Listed for through branch circuit wiring. (Max. 8 No 12 AWG 90°C branch circuit conductors. (4 in, 4 out)
- (5) 1/2" knockouts with true pry-out slots and (4) knockouts with Romex cable clamp.
- Ground wire provided on J-box.

#### ◦ Reflector

- Anodized clear, haze, gold, champagne, pewter color finished full reflectors. And anodized reflectors with black or white milled groove baffle collar.

#### ◦ Trim Ring

- White metal ring plated chrome, satin nickel, polished brass, natural steel color ring.

#### ◦ Thermal Protector

- Self resetting thermal detector on J-box deactivates fixture if overheating occurs due to improper lamping or mis-applied insulation.
- Install varied detectors according to input voltages.

#### ◦ Remodel Clips

- 3 remodel clips secure housing and accommodates 1/2" and 5/8" ceiling materials.

#### ◦ Socket

- Medium base porcelain socket with nickel plated screw shell.

#### ◦ Socket Cup

- Heat sink aluminum cup with vertically adjustable lampholder is used to control multiple beam spreads.

#### \* Listing

- UL, c-UL listed for damp location.
- UL, c-UL listed for feed through.

# Trims

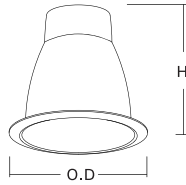
## 10" Vertical Incandescent Trims For

DL-9200A, DL-1920A, DL-1920RA

Catalog #		Type
Project		Date
Prepared by		

### INCANDESCENT

**TM-199R-H**  
**TM-199RF**  
**Specular Open Reflector**  
**300W R40, PS25**  
**250W PAR38 or 150W A19**  
 White Metal Trim Ring  
 O.D : 11-1/4"  
 Height : 9-1/2"  
 \*Symbol (RF) is for Self-flange



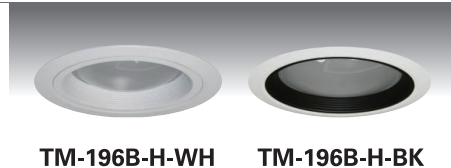
**TM-190B-H**  
**Baffle w/ Reflector**  
**300W R40, PS25**  
**250W PAR38 or 150W A19**  
 White Metal Trim Ring  
 O.D : 11-1/4"  
 Height : 9-1/2"



**TM-198-H**  
**Reflector w/ Frosted Drop Lens**  
**300W R40, PS25**  
**250W PAR38 or 150W A19**  
 White Metal Trim Ring  
 O.D : 11-1/4"  
 Height : 9-1/2"



**TM-196B-H**  
**Baffle w/ Frosted Lens**  
**300W R40, PS25**  
**250W PAR38 or 150W A19**  
 White Metal Trim Ring  
 O.D : 11-1/4"  
 Height : 9-1/2"



**TM-198S-H**  
**Reflector w/ Frosted 3.5" Center Hole Lens**  
**300W R40, PS25**  
**250W PAR38 or 150W A19**  
 White Metal Trim Ring  
 O.D : 11-1/4"  
 Height : 9-1/2"



**TM-196R-H**  
**Reflector w/ Frosted Lens**  
**300W R40, PS25**  
**250W PAR38 or 150W A19**  
 White Metal Trim Ring  
 O.D : 11-1/4"  
 Height : 9-1/2"



- ◆ White metal ring standard.
- ◆ All trims are damp location, Lens trims are wet location listed.

### ORDERING INFORMATION

Choose the catalog / finish codes that best suit your needs and enter it on the appropriate line.

TRIM MODEL	REFLECTOR	LENS	BAFFLE	METAL RING
	CL :Clear	AS :All Sanded	WH :White	WH :White
	WH :White	CL :Clear	BK :Black	BK :Black
	GD :Gold	CS :Center Part Sanded	SN :Satin Nickel	SN :Satin Nickel
	MA :Matte Platinum		AN :Antique Nickel	AN :Antique Nickel
	CP :Champagne		AC :Antique Copper	AC :Antique Copper
	PR :Pewter		MO :Mocha	MO :Mocha
	HC :Haze Clear		CA :Cappuccino	CA :Cappuccino
			CH :Chrome	CH :Chrome
			UN :Natural Steel	UN :Natural Steel
			PB :Polished Brass	PB :Polished Brass

Examples:  
 TM-199R-H-HC-WH = Haze Clear Reflector  
 TM-190B-H-BK-WH = Black Baffle w/ Clear Reflector